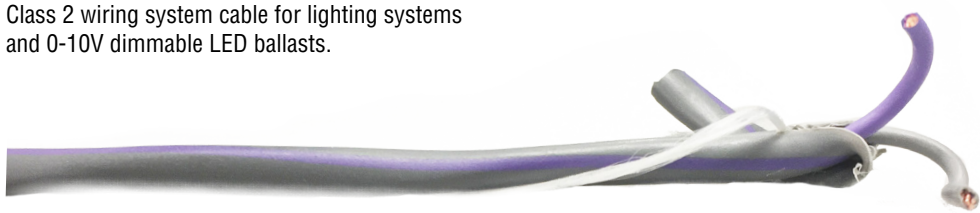


METROBRITE Luminary Cable

Class 2 wiring system cable for lighting systems and 0-10V dimmable LED ballasts.



Specifications

18-2C solid or stranded bare copper conductor low smoke polyvinylchloride insulation (violet and gray color code) non-shielded flexible plenum rated gray with violet stripe jacket and ripcord. CMP CL3P FPLP 300V 75C rated.

Application

Used in Class 2 wiring system for lighting systems and 0-10V dimmable LED ballasts. Special color code utilized in ballast leads for ease of installation and identification. NEC Code Article 725 compliant. Works with major dimmer, ballast, and driver manufacturers for LED applications. Available in 1,000ft. Reel-In-Box.

CATALOG NUMBER	GAUGE	CONDUCTOR	STRANDING	MATERIAL	INSULATION THICKNESS	APPROX OVERALL DIAMETER	APPROX WEIGHT (Lbs./Mft.)	TEMP RATING	VOLTAGE RATING	COLOR CODE
MWC-3551	18	2	SOLID	ANNEALED BARE CU	0.009"	0.148"	19	75°C	300V	VIOLET X GRAY
MWC-3552	18	2	7	ANNEALED BARE CU	0.007"	0.148"	19	75°C	300V	VIOLET X GRAY

Solid:
 IMPEDANCE: 62.3 Ω ± 10%
 CAPACITANCE: 30.4 pF/ft. ± 10%
 DC RESISTANCE: 6.39 Ω/Mft @ 20°C

Stranded:
 IMPEDANCE: 59.5 Ω ± 10%
 CAPACITANCE: 31.85 pF/ft. ± 10%
 DC RESISTANCE: 6.60 Ω/Mft @ 20°C

Wiring Details – Class 2 (Preferred Method):

The ballasts and drivers seen below are wired in a Class 2 configuration.

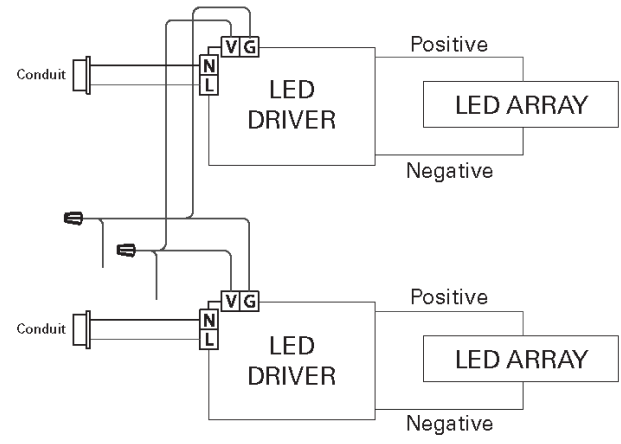


Figure 1. 0-10V Ballasts and Drivers Wired for Class 2

Note: For more information on Class 2 wiring and additional Class 2 wiring requirements see National Electric Code Article 725.

- With regards to factory installed wiring, as per UL 1598 section 6.17.1:
Factory-installed power limited wiring and branch circuit wiring that come in random contact within the luminaire shall have insulation rated for the maximum voltage that exists in any of the circuits.